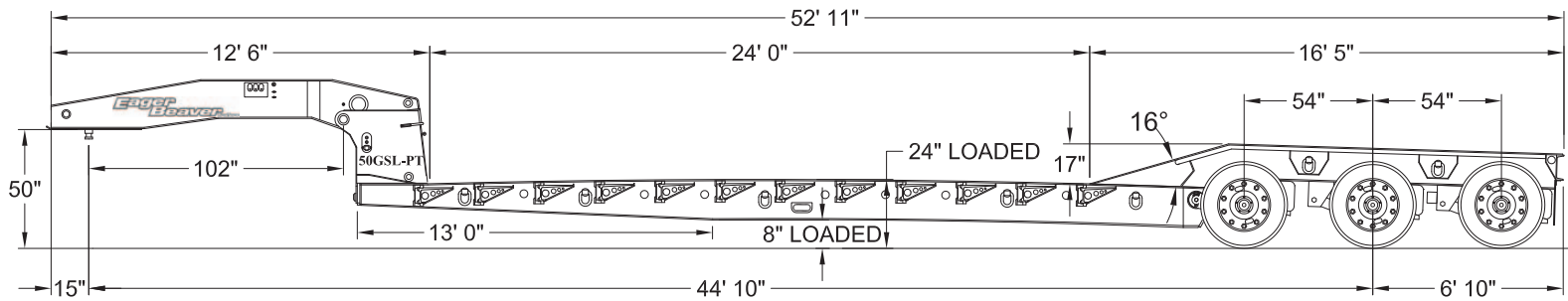


50 GSL/PT 50 Ton Self-Lifting Paver Special - ABS Air Brake Axles



SPECIFICATIONS

Capacity:	100,000 lbs.	Trailer Weight:	22,700 lbs.
Deck Width	8 ft. 6 in. Length: 24 ft. Height: 24 in. (Loaded)		
Frame	Mainrails: Four fabricated 16" Deep cambered I-Beam, 80,000 P.S.I. steel wheel covers, wood in center		
Crossmembers	10" x 9 lbs. per ft. I-Beam, pierced through mainbeam (18" spacing Std.)		
Gooseneck Length	82", 86", 90", 94", 98" and 102" available (For special lengths contact sales)		
Decking	1 ½" Apitong Decking Full Width		
Wiring Harness	Sealed L.E.D. Lights & USA Star PLUS Sealed Modular Wiring Harness w/ 7-Way ATA Plug		
Front Ramps	Front Flip (Wood filled)		
Hydraulics	Wetline hook-up for tractor PTO operation • REQUIREMENT: Low Flow/High Pressure System		
Hydraulic Cylinders	Two Main 7", One 3" Locking, One 4" Gooseneck Support		
Controls	Control Valve eye level		
Lift Axle	Air Lift 3rd Axle		
Tie Down	7 per side - Patented "ROTO RINGS"® Swivel 360°		
Outriggers	Cast Steel (Locks both in and out position)		
Colors	Black, Yellow, Blue (standard) Imron Paint		

RUNNING GEAR

Tires	Twelve 255/70R22.5 (H) Steel Belted Radial
Hubs/Wheels	Six Disc Type Hubs, Twelve 8.25 x 22.5 Disc Type Wheels, Stemco Oil Seals, Hub Piloted
Suspension	Air Ride (Combined Capacity 75,000 lbs.) Dump Valve, Air Lift 3rd Axle
Axles	Three 5" diameter 25,000 lbs. each, H.M. series bearings
Brakes	16 1/2" x 7" Air, "S" Cam., Auto Slack Adjusters
ALL WHEEL ABS	Anti-lock brake system 4S3M, Sensors on (2) Axles, 3 modulator valves
Parking Brake	Spring Brakes on All Wheels

OPTIONS

- Additional Deck Length: (25'-26'-27'-28' Optional Lengths)
- Additional Deck Width: (108" w/ 102" axles or 108" axles) - (120" w/ 120" axles)
- Gooseneck Fenders
- Power Pack: 11hp, 12hp Kohler, 13hp Honda, or 16hp Kohler (Combination Power Pack/Wet Kit Available)
- Lockable Tool & Chain Storage: Forward center deck area (1 or 2 compartments)
- Additional "ROTO-RINGS"®
- Spare Tire & Disc Wheel 255/70R22.5 (H) Optional: Spare Tire Carrier
- Tire & Disc Wheel 275/70R22.5 (H) Upgrade
- Oak Decking in lieu of Apitong
- Paint (other than standard Black, Yellow, Blue) Price on Request



Call (800) 257-8163 for more information